



Main Features

- Quad core Intel® Celeron® processor J1900 2GHz
- 18.5" WXGA (1366 x 768) P-cap zero bezel touch display
- 2MP front webcam with autofocus
- 4GB of DDR3L SO-DIMM memory
- 500GB 2.5" SATA HDD
- Ultra slim 64.5mm
- VESA mounting (100 x 100mm)
- 24VDC 120W Power brick

Product Overview

NEXCOM has released the Kiosk Panel PC KPPC 1812 to help build a smart future-proof kiosk that can evolve with changing needs of retail and hospitality industries. Based on Intel® Celeron® J1900 processor, the KPPC 1812 can power multimedia contents for advertising and enable multiple ways of user interaction for self-servicing. The KPPC 1812 is designed with expansion flexibility and ease of use and maintenance and can maximize kiosk uptime and lower total cost of ownership (TCO) for users.

Specifications

System Processor

- Motherboard: NP-BYT0-A/NC-DK0-A
- Processor: Intel® Celeron® J1900 processor, 4C, 2.0GHz, 2MB cache
- System memory:
 - 1 x DDR3L 1333 SO-DIMM
 - Default: 1 x SO-DIMM DDR3L 1333 4GB
 - Optional: 1 x SO-DIMM DDR3L 1333 8GB
- Graphics: integrated graphics controller, Intel's Gen. 7 graphics and media encode/decode engine

LCD Touch Screen

- LCD Size: 18.5" TFT WXGA (1366x768) 250cd/m² LCD panel
- Touchscreen: 18.5" projected capacitive touch panel

Storage Device

- 1 x 2.5" SATA HDD 500GB w/ HDD door

Expansion

- 1 x Full size mini-Card slot (mini-PCIe/USB/3G SIM slot)
- 1 x Half size mini-Card slot (mini-PCIe/USB)

Rear I/O

- Serial (4):
 - 2 x RJ-50 powered RS-232 (COM1, COM2, adjust RI/5V by BIOS setting)
 - 1 x RJ-50 powered RS-232 (COM3, adjust RI/ 12V by BIOS setting)
 - 1 x RJ-50 powered RS-232/422/485 (COM4, adjust RI/12V & RS232/422/485 by BIOS setting)

- USB (2/2): 2 x USB 2.0; 2 x USB 3.0
- Parallel: 1 x DB-25 parallel port
- LAN: 1 x RJ-45 (10/100/1000Mbps Ethernet)
- VGA: 1 x DB-15 VGA port for 2nd display
- Cash drawer port: 1 x RJ-11, support two cash drawers (24V, Max 1.1A)
- DC-in Jack: 1 x DC-24V input
- DC-out Jack: 1 x DC-12V output for 2nd display power (12V, Max 3.0A)
- Line-out/Mic: 1 x Line-out for External Audio speaker & Mic-in

Web Camera

- 1 x Build-in 2M autofocus webca, USB interface

Audio

- 1 x System buzzer

System Control

- 1 x Power ON/OFF switch

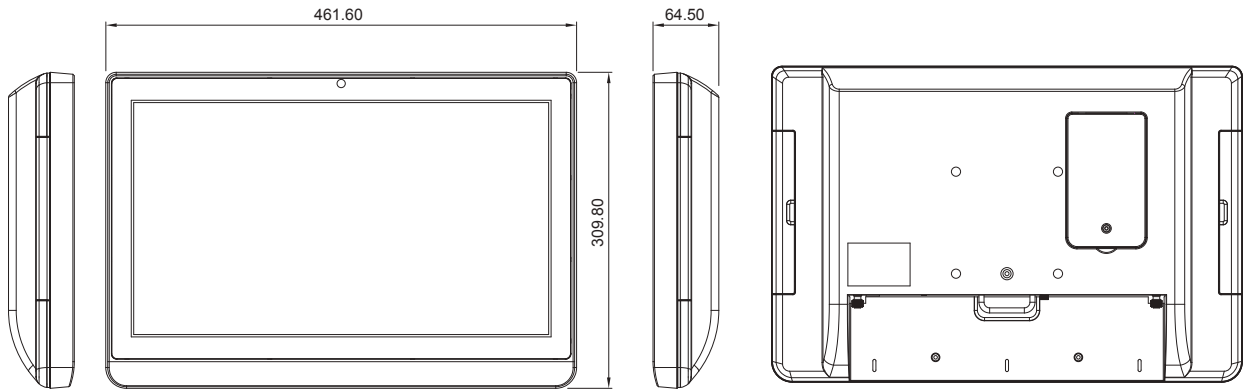
Power

- Default: external AC DC 24V/5.0A 120W power brick
- Optional: upgrade to DC-24V 180W power brick

Environment

- Operating temperature: 0°C to 40°C (32°F ~ 104°F)
- Storage temperature: -20°C to 60°C (-4°F ~ 140°F)
- Operating humidity: 20% to 80% RH non-condensing
- Storage humidity: 20% ~ 85% RH non-condensing

Dimension Drawing



Dimension

- Display head: 461.6mm (W) x 309.8mm (H) x 64.5mm (D)
- Package size: 585mm (L) x 235mm (W) x 450mm (H) (no MSR)

Weight

- Net weight/gross weight: 9.0kg (19.8lbs)/10.5kg (23.2lbs)

Operating System

- Windows 8
- WES 8
- POSReady 7
- Win 7 Pro
- WES 7
- Fedora 17
- TIZEN

Certificate

- EMC & Safety
- FCC/CE/LVDS

Ordering Information

◆ KPPC 1812-010 (P/N: 10YK0181200X0)

- CPU: Intel® Celeron® J1900 processor, 4C, 2.0 GHz, 2MB cache
- LCD/touch: 18.5" TFT WXGA (1366x768) 250 cd/m² LCD panel/
projected capacitive zero bezel touch
- Memory: 4GB DDR3L SO-DIMM
- HDD: 500GB 2.5" SATA
- Power: DC-24V/120W power brick
- Color: black
- Web camera: build-in 2M autofocus web camera